

# GIS-BASED COMPUTER CODE FOR THE EVALUATION OF FOREST FIRE SPREAD

by

**Alexander I. KARPOV, Henry P. TELITSYN, Nadezhda O. EFIMOVA,  
Victor D. BERDONOSOV, and Sergey V. POPOVICH**

Original scientific paper  
UDC: 630\*43:519.876.5  
BIBLID: 0354-9836, 11 (2007), 2, 259-270

*The approach to the implementation of a computer code, based on the geographic information system, for the forest fire behavior prediction is presented. Consecutive steps are considered, which include the formulation of fire spread mathematical model, classification of vegetation fuels using the forest inventory data, approximation of fire perimeter propagation, and overall arrangement of fire simulation code*

Key words: *forest fire, fire spread model, flame radiation, vegetation fuel, computer simulation, fire behavior system, geographic information system*

## Introduction

It is generally accepted that the forest fire research is the problem of great significance. Burning process in wild nature is a common phenomenon, but the impact of massive forest fires on environment results in severe damage to natural resources and ecological conditions. Development of a system, which allows prediction of forest fire behavior provides a highly desired tool for fire fighting practice. It has a potential to minimize suppression time and cost, and overall fire loss. Forest fire is a very complicated phenomenon for investigation. Any large forest fire (as the forest itself) is a unique phenomenon occurring in a medium of uncertain local conditions. The objectives of present research are laid within rather wide frame of the problem of forest fire modeling. The final purpose of forest fire modeling is the estimation, with reasonable accuracy, of the fire's perimeter propagation in time and space, along with other parameters, such as fire intensity at the leading edge and response time of suppression equipment. A significant number of studies have been devoted to forest fire research with the emphasis on different aspects of investigation, such as:

- fire spread model predicting local flame propagation rate as a function of forest fuel parameters, terrain and weather conditions,
- forest fuel classification, based on forest inventory data, providing parameters affecting the fire spread process,

- algorithm for approximation of fire perimeter to simulate fire propagation process and its interaction with fire suppression equipment, and
- overall design of the forest fire prediction computer code as an integral part of a general forest monitoring system with high level of compatibility between mapping and database processing.

The recognized developments for fire growth simulations, employing the geographic information system (GIS) technology, are: BEHAVE – Fire Behavior Prediction and Fuel Modeling System [1-6] and FARSITE – Fire Area Simulator [7-9].

Herewith, our contribution to this “challenging, intriguing, and poorly funded field of research” [10] is presented with primary intention to trace the above mentioned steps, stressing the weak spots and outlining the ways to the possible ways for improvement.

### Fire spread model

First, a mathematical model is to be derived to predict fire local spread rate. A significant number of fire spread models related to forest fires has been proposed (see a comprehensive review by Weber [11]). According to the classification [11], statistical, empirical, and physical models are distinguished. Typical example of the empirical group is the Rothermel’s model [12], on which both the BEHAVE and FARSITE codes are based. In presented study, the model of Telitsyn [13-17] is used, which has been developed essentially on the physical basis in the spirit of approaches proposed by Emmons [18], Albini [19], van Wagner [20], and Thomas [21].

The sketch of fire spread model is shown in fig. 1. The energy balance in a fuel bed moving with a steady velocity  $R$  is expressed in general form as:

$$\int_S q_S dS - R\rho[C(T_S - T_0) + QM]h \quad (1)$$

Since radiation is assumed here to be dominant heat transfer mechanism, the heat flux is expressed by the Stefan-Boltzmann law:

$$q = \varepsilon\sigma(T_F^4 - T_S^4) \quad (2)$$

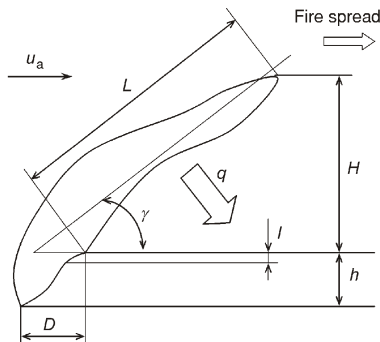


Figure 1. Physical fire spread model

The other heat transfer mechanisms (due to conduction and convection, including turbulence), which are generally not negligible could be expressed (with a certain degree of unfaithful representation) in terms of radiation heat flux introducing an appropriate value of the emissivity  $\varepsilon$  in eq. (2) unless a disagreement in physical behavior would be found out. Here, this has been done as the emissivity is determined from the experimental data on fire spread rates.

By the primary concept employed in a model [15], the two modes of heat flux are distinguished: the “inward” (glowing) radiation describing heat transfer inside a fuel bed, and the “outward” (external or flaming) one corresponding to heat flux from the flame zone absorbed by the fuel’s surface. Thus, the l. h. s. of the integral in eq. (1) is written as:

$$\int_S q_S dS + q_1 h + q_0 \Phi L \quad (3)$$

Two different modes of heat flux correspond to different physical aspects of fuel loading. While the inward heat flux relates to the overall fuel loading  $W = \rho h$  of the fuel bed, the outward heat flux absorbed on a fuel’s surface heats up the thin fuel layer adjacent to surface. For the latter case the effective fuel loading is expressed as  $W_{\text{eff}} = \rho_{\text{eff}} h_{\text{eff}}$ , where  $\rho_{\text{eff}}$  is particle density of the foliage. Involving free path of radiation in the fuel, the effective fuel loading can be expressed as:

$$W_{\text{eff}} = \rho_1 \quad (4)$$

where free path of radiation is determined through the correlation between fuel bulk density, particles density, and surface-to-volume ratio:

$$l = \frac{1}{v} \frac{\rho_{\text{eff}}}{\rho} \quad (5)$$

Fire spread rate is then derived from eq. (1) as:

$$R = \frac{\varepsilon_1 \sigma (T_F^4 - T_S^4)}{\rho [C(T_S - T_0) + QM]} + \frac{\varepsilon_0 \Phi L}{\varepsilon_1 l} \quad (6)$$

The model has been tested [15] using large amount of available experimental data, which suggests the following approximation for emissivity:

$$\varepsilon_0 = 1 - e^{-0.16D} \quad (7)$$

$$\varepsilon_1 = 1 - e^{-0.16(L + 0.4)} \quad (8)$$

where width of burning zone  $D$  and flame length  $L$  are considered as characteristic parameters of large-scale flame. Apparently, the dependence of emissivity upon the both parameters shows the same correlation for both introduced modes of heat flux, but some correction factor (0.4) is included into the formula for inward radiation emissivity, eq. (8). This coefficient applies for the case of fire of minimal intensity (for example, the fire spreading downward along a vertical layer of fuel or fire spreading opposite to the strong wind) where flame length over the fuel surface becomes negligible and outward heat flux vanishes in eq. (6). Such fire spread process is governed by heat transfer from glowing ember to virgin fuel.

The additional correlation for burning zone width, flame angle factor, angle itself, buoyancy-generated velocity, flame height and flame length are estimated as follows [13, 15]:

$$D = l \frac{\varepsilon_0 \Phi L}{\varepsilon_1} \tag{9}$$

$$\Phi = \frac{1 - \cos \gamma}{2} \tag{10}$$

$$\cos \gamma = \frac{U}{\sqrt{U^2 + V^2}} \tag{11}$$

$$V = 2.5H^{0.5} \tag{12}$$

$$H = A_H(WR)^{0.5} \tag{13}$$

$$L = \frac{H}{\sin \gamma} \tag{14}$$

Other parameters of eq. (6) are assumed to be constants as shown in tab. 1.

**Table 1. Constant parameters of model**

Symbol	Value	Unit
$T_F$	1200	[K]
$T_S$	573	[K]
$T_0$	293	[K]
$C$	1400	[J/kgK]
$Q$	26000	[J/kg]
$\sigma$	$5.6 \cdot 10^{-8}$	[W/m <sup>2</sup> K <sup>4</sup> ]

Non-linear eqs. (6)-(14) were solved by successive substitutions to predict the fire spread rate. The convergent solution has been obtained for the whole range of investigated input data. The coefficient  $A_H$  in eq. (13) has been estimated [15] from the comparison of calculated results with the available experimental data. As a result, the values of  $A_H$  from 2 to 7 were obtained, depending upon the fuel type.

Field observations of the effect of wind on the forest fire spread rate demonstrated the nearly linear dependence [16]:

$$R = R_* (1 + U) \tag{15}$$

where  $R_*$  is the spread rate in “no-wind” conditions which is determined from eqs. (6), (10), and (11) as:

$$R_* = \frac{\varepsilon_1 \sigma (T_F^4 - T_S^4)}{\rho [C(T_S - T_0) + QM]} \cdot \frac{\varepsilon_0 H}{2 \varepsilon_1 l} \tag{16}$$

From analysis of eqs. (6), (15), and (16) one should note that linear dependence expressed by eq. (15) is can hardly be expected as a explicit correlation, but such an as-

sumption is usually considered reasonable due to the nature of dependence of flame angle factor upon wind velocity through eqs. (10) and (11).

For the prediction of local fire spread rate, eq. (6) requires input information on local fuel properties such as moisture, fuel loading and density. For real forests, these parameters are not normally available as continuous functions in time and space. Hence, some discrete classification for fuel types is to be introduced.

### Classification of fuels types

The next step toward the development of practically applicable model is getting over the gap between characteristics required to calculate the fire spread rate and information on forest properties available from inventory data. There is a number of approaches available (for example [4-9, 22-26]), using either an early adopted purely supervised evaluation, or an integrated implementation (assuming certain share of unsupervised analysis) of GIS data for estimating vegetation characteristics according to the accepted fire behavior model.

Following the latter approach [17], the formula for fire spread rate is expressed as:

$$R = k_1(k_2 - 1)(1 + k_3 U_m + k_4) \quad (17)$$

Here  $k_2$  is the fire danger index,  $k_1$  the “basic” spread rate,  $k_3$  the coefficient accounting for the effect of wind on the spread rate,  $U_m$  the wind velocity obtained from meteorological data, and  $k_4$  the coefficient accounting for the effect of terrain slope.

The combination of factors containing  $k_1$  and  $k_2$  in eq. (17) represents the spread rate  $R_*$  in the absence of wind as defined by eq. (16). Unlike bulk density and fuel loading which can be assumed constant for a specific fuel, the moisture content is a function of weather conditions. According to the regulations of the Federal Forest Agency of Russia (which are used in the present study, fire danger index is counted by integer numbers from 1 (zero probability of fire) to 5 (maximal fire danger). In a physical sense, higher values of fire danger index decrease the moisture content  $M$  and thus increase the fire spread rate, eq. (6). Since the typical dependence of fire spread rate upon the moisture has low curvature profile (*e. g.* [27]), it is assumed that the fire danger index itself has a linear influence on the spread rate. The “basic” spread rate is determined from eq. (16) using the fuel properties such as bulk density, fuel loading and moisture content corresponding to “basic” condition, *i. e.* the fire danger index equal to 2.

The simplified algorithm for fuel classification presented in fig. 2 is an attempt to combine directly the inventory data and fire spread model. At present stage, the analysis is limited to spring and fall conditions as most fire dangerous seasons. Hence, the effect of green fuel component is excluded and crown properties are determined by coniferous species only. According to eq. (17), the two parameters,  $k_1$  and  $k_3$ , have to be estimated. It is assumed here that the “basic” spread rate  $k_1$  is affected mostly by the underwood properties, such as a type of dominant species and its density. The effect of

wind velocity on the spread rate is described by the coefficient  $k_3$ , which depends upon the canopy closure of conifers. Both coefficients are divided into four categories, which give 16 possible fuels types. However, not all of them can co-exist (*e. g.*, a combination of high canopy closure and dry underwood species). Totally 12 types have been distinguished as indicated in tab. 2.

**Table 2. Parameters of fuels classification**

No.	Coniferous canopy closure [%]	$k_3$	Underwood		$k_1$ [m/h]
			Type of species	Density	
1	0-20	1.0	Non-moist	Any	12
2	0-20	1.0	Moist	Low	10
3	0-20	1.0	Moist	Moderate	4
4	0-20	1.0	Moist	High	2
5	20-40	0.5	Non-moist	Any	12
6	20-40	0.5	Moist	Low	10
7	20-40	0.5	Moist	Moderate	4
8	20-40	0.5	Moist	High	2
9	40-60	0.3	Non-moist	Any	4
10	40-60	0.3	Moist	Any	2
11	60-80	0.1	Non-moist	Any	4
12	60-80	0.1	Moist	Any	2
	80-100	0.1	Any	Any	2

### Approximation of fire perimeter

Two approaches are generally used for the modeling of fire perimeter growth, namely, the point technique [28] and the curve expansion algorithm [29-31]. First of them, despite having conceptual simplicity of coding, faces conceptual difficulty in describing fire spread behavior, mainly due to a limited number of directions for fire propagation [8] if conventional orthogonal grid is used. Therefore, we use the second approach based on the Huygens' wavelet propagation principle, which has been applied for modeling of wildland fire by Anderson *et al.* [29], and the detailed technique of elliptical propagation of fire front as proposed by Knight and Coleman [30].

Briefly, each fire perimeter point is considered as a source of fire, propagating independently within a prescribed time step  $\Delta t$ . Parameters of each ellipse depend on the

local fuel properties and weather conditions at a given point at the fire front at time  $t$ . The outer envelope formed by these ellipses defines the location of fire front  $F_{t+\Delta t}$  at time  $t + \Delta t$ . Parameters of the ellipse with the focus located at the origin of the coordinate system and  $x$ -coordinate coinciding with direction of maximal velocity of fire spread are expressed as:

$$\frac{(x - c)^2}{a^2} - \frac{y^2}{b^2} = 1 \quad (18)$$

$$b = \sqrt{a^2 - c^2} \quad (19)$$

Parameters  $a$  and  $c$  are defined through the fire spread rates as:

$$a = R_{\text{front}}\Delta t - c \quad (20)$$

$$c = \frac{\Delta t}{2}(R_{\text{front}} - R_{\text{back}}) \quad (21)$$

where front and back fire spread rates are derived from eq. (17):

$$R_{\text{back}} = k_1(k_2 - 1) \quad (22)$$

$$R_{\text{front}} = k_1(k_2 - 1)(1 + k_3U_m + k_4) \quad (23)$$

The algorithm for the approximation of the new fire front  $F_{t+\Delta t}$  is described in full detail in [7]. Finally, some specific features describing low curvature, moderately, and sharply convex modes as well as an optimization procedure to overcome possible complicated situations (concave points, internal loops, and overlapping of fire perimeters), should be employed [7].

### Framework of the computer code

General scheme of the developed computer code for the prediction of forest fire behavior is presented in fig. 2. The code is based on the GIS, which is created as a monitoring and operating tool for the management of forest resources. Two parts of the GIS, the map layers and the inventory database are inputs into the GIS graphical interface allowing problem oriented maps to be created by database processing. The fuel types map is created by using the data analysis corresponding to the fuel classification described above. As vector layers and fuel data are brought into the GIS interface, the fuel types map containing the forest area of specific location and of appropriate scale is created.

This map is transferred into the fire simulation code in the form of raster layer where the information on fuel properties and coefficients  $k_1$  and  $k_3$  – eq. (17), are stored as pixel's colors corresponding to fuel types introduced in tab. 2. Weather conditions, another input for the fire simulation code, provide the values of the coefficient  $k_2$  (fire dan-

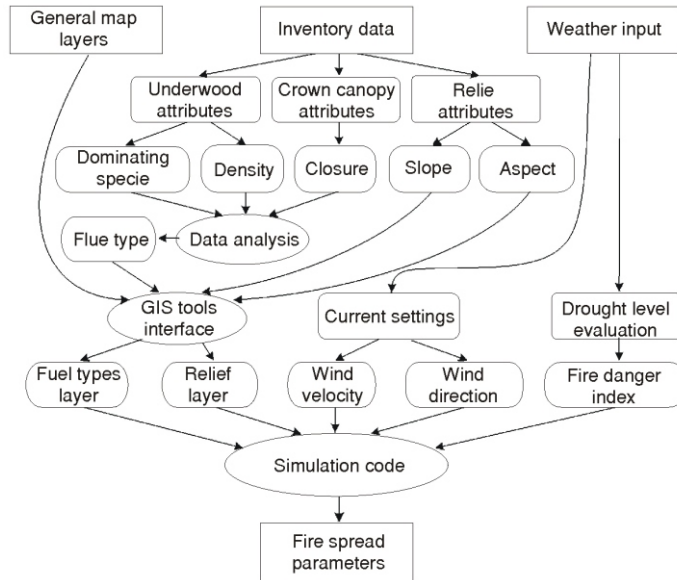


Figure 2. Framework of the computer code

ger index), as well as wind velocity and direction. Coefficient  $k_4$  is derived from the inventory database containing the values of slope and aspect.

**Example of fire spread simulation**

Figures 3-5 present the results of fire spread process simulations and simultaneous construction of fire-break line. Analyzing the final location, one can evaluate the fire suppression tactics chosen (fig. 5). While the upper branch has been built up properly, the lower one con-

tradicts the safety regulations because of very close location of the leading edge of fire front and acting facility.

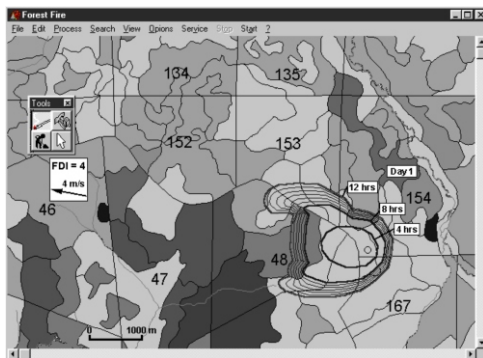


Figure 3. Fire perimeter distribution during the first day of propagation

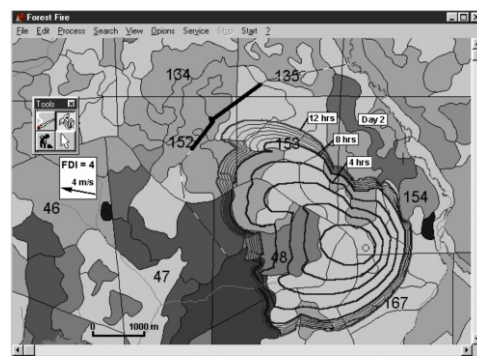
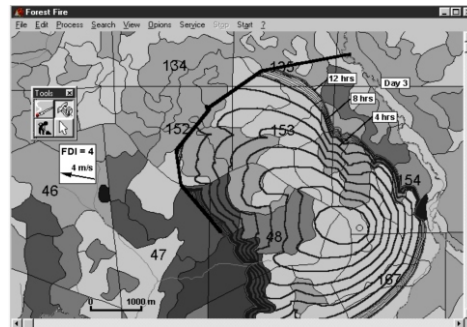


Figure 4. Fire perimeter distribution during the second day of propagation. The fire-break line is begun to be built up



**Figure 5. Fire perimeter distribution during third day of propagation. The construction of the fire-break line is finished**



### Concluding remarks

The purpose of presented study has been an arrangement of the computer code for forest fire behavior prediction. Both formulation of fire spread physical model and details of programming implementation were presented. Apparently, there are a number of possible improvements on the way towards the much more comprehensive prediction system. The presented fire spread model, despite being based on fundamental physical principles, requires a lot of empirical information, which could only be obtained through the field observation of forest fires. However, some of such correlations can be replaced rather easily by more advanced models. Thus, eqs. (10)-(14) describing heat transfer in flame zone would be replaced by two-dimensional partial differential equations of momentum, energy, and mass balance, which is described in detail [32] mechanisms of radiative and convective heat transfer as well as effects of buoyancy and turbulence. Further, classification of forest fuel types can be improved by introducing additional information from inventory data such a processing of a descriptive “forest type”. Finally, the integrating of remote sensing technique into the fire simulation code [33] is to be considered as a most promising direction of research.

### Nomenclature

$C$	– specific heat of fuel, [ $\text{Jkg}^{-1}\text{K}^{-1}$ ]
$D$	– width of burning zone, [m]
$H$	– flame height, [m]
$h$	– thickness of fuel bed, [m]
$k_1$	– coefficient in eq. (17), [ $\text{ms}^{-1}$ ]
$k_2, k_4$	– coefficient in eq. (17), [–]
$k_3$	– coefficient in eq. (17), [ $\text{sm}^{-1}$ ]
$L$	– flame length above fuel surface, [m]
$l$	– free path of radiation, [m]
$M$	– moisture content of fuel, [%]
$Q$	– heat of vaporization, [ $\text{Jkg}^{-1}$ ]
$q$	– heat flux, [ $\text{Wm}^{-2}$ ]
$R$	– rate of fire spread, [ $\text{ms}^{-1}$ ]

$T$  – temperature, [K]  
 $U$  – wind velocity, [ $\text{ms}^{-1}$ ]  
 $V$  – buoyancy velocity, [ $\text{ms}^{-1}$ ]  
 $W$  – fuel loading, [ $\text{kgm}^{-2}$ ]

#### Greek symbols

$\gamma$  – angle between flame and fuel's surface, [rad]  
 $\varepsilon$  – emissivity, [-]  
 $\nu$  – surface-to-volume ratio, [ $\text{m}^{-1}$ ]  
 $\rho$  – bulk density of fuel, [ $\text{kgm}^{-3}$ ]  
 $\sigma$  – Stefan-Boltzmann constant, [ $\text{Wm}^{-2}\text{K}^{-4}$ ]  
 $\Phi$  – flame angle factor, [-]

#### Subscripts

0 – initial  
 eff – effective  
 F – flame  
 I – inward  
 m – meteorological data  
 O – outward  
 S – surface

#### References

- [1] Burgan, R. E., Rothermel, R. C., BEHAVE: Fire Behavior Prediction and Fuel Modeling System – FUEL Subsystem, General Technical Report INT-167, Ogden, Ut., USA, USDA Forest Service, Intermountain Research Station, 1984
- [2] Andrews, P. L., BEHAVE: Fire Behavior Prediction and Fuel Modeling System – BURN Subsystem, part 1, General Technical Report INT-194, Ogden, Ut., USA, USDA Forest Service, Intermountain Research Station, 1986
- [3] Andrews, P. L., Chase, C. H., BEHAVE: Fire Behavior Prediction and Fuel Modeling System-BURN Subsystem, part 2, General Technical Report INT-260, Ogden, Ut., USA, USDA Forest Service, Intermountain Research Station, 1989
- [4] Andrews, P. L., Bevins, C. D., Update and Expansion of the BEHAVE Fire Behavior Prediction System, *Proceedings*, 14<sup>th</sup> Conference on Fire and Forest Meteorology, Luco-Coimbra, Portugal, 1998, Vol. I, pp. 733-740
- [5] Andrews, P. L., Bevins, C. D., Seli, R. C., BehavePlus Fire Modeling System, version 2.0: User's Guide, General Technical Report RMRS-GTR-106WWW, Ogden, Ut., USA, USDA Forest Service, Rocky Mountain Research Station, 2003
- [6] Andrews, P. L., Bevins, C. D., Seli, R. C., BehavePlus fire modeling system, version 3.0: User's Guide, General Technical Report RMRS-GTR-106WWW Revised, Ogden, Ut., USA, USDA Forest Service, Rocky Mountain Research Station, 2005
- [7] Finney, M. A., FARSITE: Fire Area Simulator – Model Development and Evaluation, Research Paper RMRS-RP-4, Ogden, Ut., USA, USDA Forest Service, Rocky Mountain Research Station, 1998
- [8] Green, K., Finney, M., Campbell, J., Weinstein, D., Landrum, V., FIRE! Using GIS to Predict Fire Behavior, *Journal of Forestry*, 93 (1995) 5, pp. 21-25

- [9] Keane, R. E., Garner, J. L., Schmidt, K. M., Long, D. G., Menakis, J. P., Finney, M. A., Development of the Input Data Layers for the FARSITE Fire Growth Model for the Selway-Bitterroot Wilderness Complex, USDA Forest Service, General Technical Report RMRS-GTR- 3, 1998
- [10] Albini, F. A., An Overview of Research on Wildland Fire, *Proceedings*, 5<sup>th</sup> International Symposium on Fire Safety Science, IAFSS, Melbourne, Australia, 1997, pp. 59-74
- [11] Weber, R. O., Modeling Fire Spread through Fuel Beds, *Progress in Energy and Combustion Science*, 17 (1991), 1, pp. 67-82
- [12] Rothermel, R. C., A Mathematical Model for Predicting Fire Spread in Wildland Fuels, Research Paper INT-115, Ogden, Ut., USA, USDA Forest Service, Intermountain Forest and Range Experiment Station, 1972
- [13] Telitsyn, H. P., Dependence of Forest Fire Spread Rate upon Weather Conditions (in Russian), Far Eastern Forestry Research Institute, Khabarovsk, USSR, 1965, Vol. 7, pp. 391-405
- [14] Telitsyn, H. P., Sosnovshenko, A. P., Characteristics of Forest Fuels and its Dependence upon Burning Features (in Russian), Far Eastern Forestry Research Institute, Khabarovsk, USSR, 1970, Vol. 10, pp. 248-252
- [15] Telitsyn, H. P., Flame Radiation as a Mechanism of Fire Spread in Forests, in: Heat Transfer in Flames (Ed. N. H. Afgan, J. M. Beer), John Wiley and Sons, New York, USA, 1974, pp. 441-449
- [16] Telitsyn, H. P., A Mathematical Model of Spread of High-Intensity Forest Fires, in: Fire in Ecosystems of Boreal Eurasia (Ed. J. G. Goldammer, V. V. Furyaev), Kluwer Academic Publishers, Dordrecht, The Netherlands, 1996, pp. 314-325
- [17] Telitsyn, H. P., Karpov, A. I., On the Modeling of Forest Fires: from Physical Background toward Practical Output, *Proceedings*, 4<sup>th</sup> Asia-Oceania Symposium on Fire Science and Technology, Waseda University, Tokyo, 2000, pp.15-31
- [18] Emmons, H. W., Fire in the Forest, *Fire Research Abstracts and Reviews*, 5 (1964), 3, pp. 163-178
- [19] Albini, F. A., A Physical Model for Fire Spread in Brush, *Proceedings*, 11<sup>th</sup> Symposium (Int.) on Combustion, 1966, The Combustion Institute, Pittsburgh, Pa., USA, 1967, pp. 553-560
- [20] Van Wagner, C. E., Calculation on Forest Fire Spread by Flame Radiation, Canadian Department of Forestry, Report No. 1185, 1967
- [21] Thomas, P. H., Some Aspects of the Growth and Spread of Fires in the Open, *Journal of Forestry*, 40 (1967), 2, pp. 139-164
- [22] Anderson, H. E., Aids to Determining Fuel Models for Estimating Fire Behavior, General Technical Report INT-122, Ogden, Ut., USA, USDA Forest Service, Intermountain Forest and Range Experiment Station, 1982
- [23] Fischer, W. C., Photo Guide for Appraising Downed Woody Fuels in Montana Forests, General Technical Report INT-98, Ogden, Ut., USA, USDA Forest Service, Intermountain Forest and Range Experiment Station, 1981
- [24] Volokitina, A. V., Sofronov, M. A., Using Large Scale Vegetation Fuel Maps for Forest Fire Control, *Proceedings*, 2<sup>nd</sup> Asia-Oceania Symposium on Fire Science and Technology, Khabarovsk, Russia, 1995, pp. 83-89
- [25] Keane, R. E., Burgan, R. E., van Wagtenonk, J., Mapping Wildland Fuels for Fire Management across Multiple Scales: Integrating Remote Sensing, GIS, and Biophysical Modeling, *International Journal of Wildland Fire*, 10 (2001), 3-4, pp. 301-319
- [26] Scott, J. H., Burgan, R. E., Standard Fire Behavior Fuel Models: a Comprehensive Set for Use with Rothermel's Surface Fire Spread Model, General Technical Report RMRS-GTR-153, Fort Collins, Col., USA, USDA Forest Service, Rocky Mountain Research Station, 2005
- [27] Lyons, P. R. A., Weber, R.O., Geometrical Effects on Flame Spread Rate for Wildland Fine Fuels, *Combustion Science and Technology*, 89 (1993), 1-4, pp. 153-165
- [28] Ball, G. L., Guertin, D. P., Simulation of Fire Growth, *International Journal of Wildland Fire*, 2 (1992), 2, pp. 47-54

- [29] Anderson, D. H., Catchpole, E. A., de Mestre, N. J., Parkes, T., Modeling the Spread of Grass Fires, *Journal of Australian Mathematical Society (Series B)*, 23 (1992), 3, pp. 451-466
- [30] Knight, I., Coleman, J., A Fire Perimeter Expansion Algorithm Based on Huygens' Wavelet Propagation, *International Journal of Wildland Fire*, 3 (1993), 2, pp. 73-84
- [31] Richards, G. D., A General Mathematical Framework for Modeling Two-Dimensional Wildland Fire Spread, *International Journal of Wildland Fire*, 5 (1995), 2, pp. 63-72
- [32] Grishin, A. M., Mathematical Modeling of Forest Fires and New Methods of Fighting Them, Tomsk State University, Tomsk, Russia, 1997
- [33] Peterson, B., Hyde, P., Hofton, M., Dubayah, R., Fites-Kaufman, J., Hunsaker, C., Blair, J. B., Deriving Canopy Structure for Fire Modeling from Lidar, *Proceedings, 4<sup>th</sup> International Workshop on Remote Sensing and GIS Applications to Forest Fire Management: Innovative Concepts and Methods in Fire Danger Estimation*, Ghent University, Ghent, Belgium, 2003, pp. 56-65

Authors' addresses:

*A. I. Karpov, S. V. Popovich*  
Institute of Applied Mechanics  
34, T. Baramzinoi  
Izhevsk 426067, Russia

*H. P. Telitsyn*  
Gassinski Model Forest Association  
106, Kalinina, Troitskoe, Nanaiskiy District  
Khabarovsk 682350, Russia

*N. O. Efimova, V. D. Berdonosov*  
Department of Computer Science  
Komsomolsk-on-Amur State University of Technology  
27, Lenina, Komsomolsk-on-Amur 681013, Russia

Corresponding author A. I. Karpov  
E-mail: karpov@udman.ru

Paper submitted: April 20, 2006  
Paper revised: August 15, 2006  
Paper accepted: August 30, 2006